

ЗИМНЯЯ АКЦИЯ

2021



2022

Loading...

С 01.12.2021 - 31.03.2022

Сервисные наборы (SW1, SW6, SW10)

10%
Promotional
discount



Наборы запчастей для асфальтоукладчиков и фрез

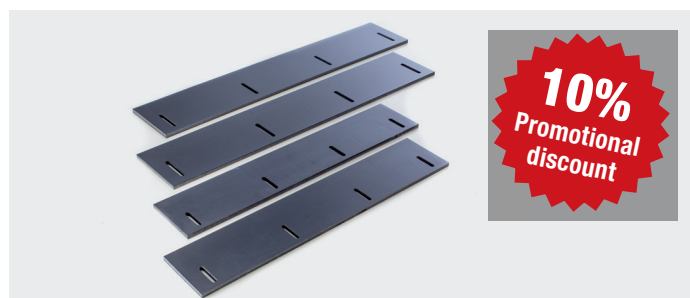
10%
Promotional
discount



ЗИМНЯЯ АКЦИЯ

С 01.12.2021 - 31.03.2022

Скидка 10% на нижеперечисленные позиции:



P/N	Description	used in (examples)
540 020 91	Footplate 230mm	BT 60 – BT 80 D
540 020 90	Footplate 280mm	
540 020 96	Footplate 160mm (incl. Sideprotection)	
540 020 93	Footplate 200mm (incl. Sideprotection)	
540 020 94	Footplate 240mm (incl. Sideprotection)	
540 020 95	Footplate 290mm (incl. Sideprotection)	
540 020 92	Footplate 330mm (incl. Sideprotection)	

P/N	Description	used in (examples)
580 302 34	Scraper	BW 177 - BW 179-4
586 103 44	Scraper	BW 177-5
580 302 57	Scraper	BW 211 - BW 226
463 101 25	Scraper	BW 80 AD-5
463 101 43	Scraper	BW 90 AD-5 BW 90 SC-5
880 601 13	Scraper	BW 100 AC-5
463 101 40	Scraper	BW 100 ACM-5 BW 100 SCC-5
463 101 48	Scraper	BW 100 AD-5 BW 100 ADM-5 BW 100 SC-5 BW 100 SCC-5
880 180 02	Scraper	BW 120 AD-4
880 565 03	Scraper	BW 120 AC-5
880 571 01	Scraper	BW 120 AD-4 BW 120 AC-5
650 801 38	Scraper	BW 135 AD-5
650 801 30	Scraper	BW 138 AC-5
650 801 39	Scraper	BW 138 AD/AC-5
841 101 03	Scraper	BW 141 AD-4 (AM) BW 154 AP-4 (AM) BW 154 ACP-4 (AM)
842 301 07	Scraper	BW 151/154/161 AD-4 BW 154 ACP-4 (AM) BW 174 AP-4 (AM)
876 110 92	Scraper	BW 154 ACP-4
920 174 06	Scraper	BW 151/161 AC-4 (AM)
921 108 58	Scraper	BW 151 - BW 161 AC-5
920 176 08	Scraper	BW 190 AD-4 (AM)
413 009 04	Scraper	BW 202/203/205 AD-4

ЗИМНЯЯ АКЦИЯ

С 01.12.2021 - 31.03.2022

Скидка 10% на нижеперечисленные позиции:



P/N	Description	used in (examples)
057 532 34	Battery	BPR 35/42D BPR 35/60D BPR 45/55D BPR 55/65D BPR 60/65D
057 532 36	Battery	BW 62 H - BW 75 S-2
057 532 67	Battery	BPR 65/70 BPR 70/70D BPR 100/80D BMP 851
057 532 37	Battery	BMP 8500
057 532 70	Battery	BW 177 - BW 226-4
057 532 82	Battery (12V 44Ah 210x175x175mm)	various brands
057 532 30	Battery (12V 45Ah 237x128x221mm)	various brands
057 532 36	Battery	BW 80 - BW 125
057 532 12	Battery	BW 100 - BW 138 BW 177-5 BW 219-5 - BW 226-5 BM 500 - BM 600
057 532 73	Battery	BW 211 - BW 216-5
057 532 60	Battery	BW 141 - BW 203 AD-4 BW 154 - 174 AP/ACP-4 BW 177 - BW 226-4
057 532 70	Battery	BW 141 - BW 205-4 BW 154 AP / ACP BW 174 AD - 184 AD
057 532 13	Battery	BM 1000/35 - BM 1300/35 RS 460 - RS 650
057 532 11	Battery	BM 2000/75 BC 572-1172
057 532 35	Battery	BF 200 - BF 900 BMF 2500 BW 174 AP4 AM BW 141 - 202 AD-5
408 020 011	Battery	BF 223 BF 600 BF 691

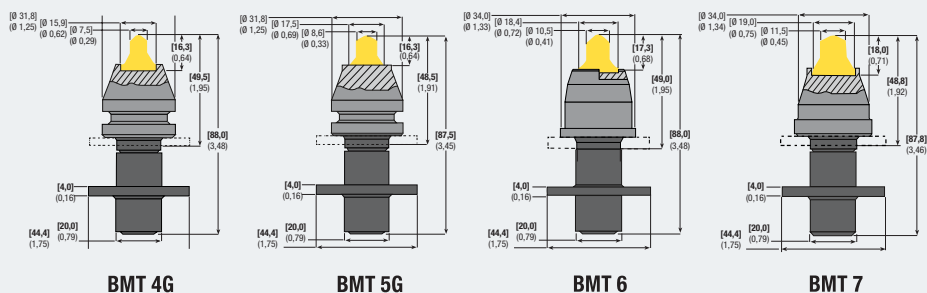
P/N	Description	used in (examples)
462 010 00	OPERATOR WATER SPRAY KIT	BW 80 - 135
921 015 02	OPERATOR WATER SPRAY KIT	from BW 138



P/N	Description	used in (examples)
057 943 12	Water pump	BW 80 - BW 138-5 BW 154/174 ACP-4
057 940 38	Water pump	BW 135
057 941 83	Water pump	BW 154/174 AP-4 BW 161/202-4
057 941 82	Water pump	BW 141 - BW 206 -5 BW 174 AP / ACP-4f
057 940 48	Water pump	BW 170/174/180/184 AD/AC
538 020 58	Water pump (Repair Set)	BW 24 - BW 28

ЗИМНЯЯ АКЦИЯ

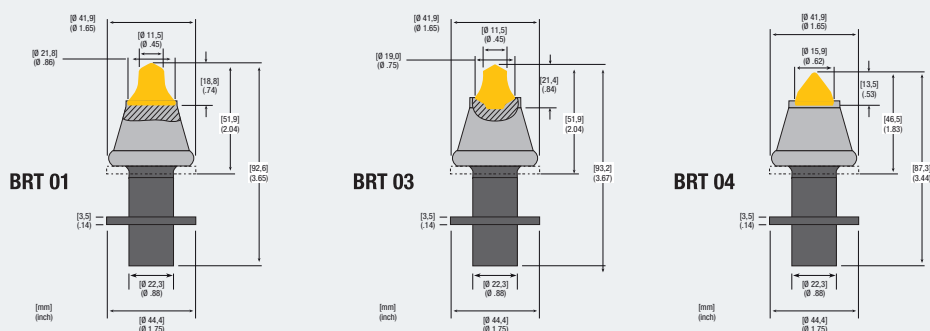
C 01.12.2021 - 31.03.2022



Promotional prices

BOMAG 20MM MILLING TOOLS FOR COLD MILLING

P/N	Description	used in (examples)	Special dealer net (EXW) price
300 262 04 C50	BMT 4G (50 x pcs) Box	BM 500/15 - 600/15	2,91 €
300 262 04 C3200	BMT 4G (3200 x pcs) pallet	BM 500/15 - 600/15	2,79 €
300 262 05 C50	BMT 5G (50 x pcs) Box	BM 500/15 - 600/15	3,15 €
300 262 05 C3200	BMT 5G (3200 x pcs) pallet	BM 500/15 - 600/15	2,98 €
300 262 06 C50	BMT 6 (50 x pcs) Box	BM 1000/35 - 1300/35	3,18 €
300 262 06 C3200	BMT 6 (3200 x pcs) pallet	BM 1000/35 - 1300/35	3,09 €
300 262 07 C50	BMT 7 (50 x pcs) Box	BM 2000/75	3,60 €
300 262 07 C3200	BMT 7 (3200 x pcs) pallet	BM 2000/75	3,43 €



Promotional prices

BOMAG 22MM MILLING TOOLS FOR RECYCLERS & STABILIZERS

P/N	Description	used in (examples)	Special dealer net (EXW) price	
300 263 01 C40	BRT 01 (40 x pcs) Box	all machines with 22mm tool holder	4,98 €	
300 263 01 C2400	BRT 01 (2400 x pcs) pallet		4,69 €	
300 263 03 C40	BRT 03 (40 x pcs) Box		FOR COLD RECYCLING & STABILIZATION	4,45 €
300 263 03 C2400	BRT 03 (2400 x pcs) pallet			4,26 €
300 263 04 C40	BRT 04 (40 x pcs) Box		FOR STABILIZATION	3,60 €
300 263 04 C2400	BRT 04 (2400 x pcs) pallet			3,28 €

ЗИМНЯЯ АКЦИЯ

C 01.12.2021 - 31.03.2022

WHY ALWAYS CHANGING THE WHOLE THING?

Depending on your requirements we offer different kits for the new track pad system. For converting a complete track chain from the old to the new changable track pad system you can easily order the conversion kit.

In case of major damages just use the track pad kit which includes one single pad together with the steel plate. By ordering one part number you can be sure to receive all parts needed for the repair. The rubber wear part itself can be ordered separately with the respective fastening material.

TRACK PADS „CONVERSION KIT“

Kit includes the exact amount of trackpads you need for the first fitting of one chain of your paver's undercarriage (Rubber Pads (1), Steel Plates (2), Fastening Material (3)).

MACHINE	P/N
BF600 / BF700 (48 pcs.)	892 011 53
BF800 / BF900 (53 pcs.)	893 011 19

TRACK PAD KIT

For changing one entire trackpad in case of major damages. Kit includes Rubber Pad (1), Steel Plate (2) and Fastening Material (3) for one complete track pad

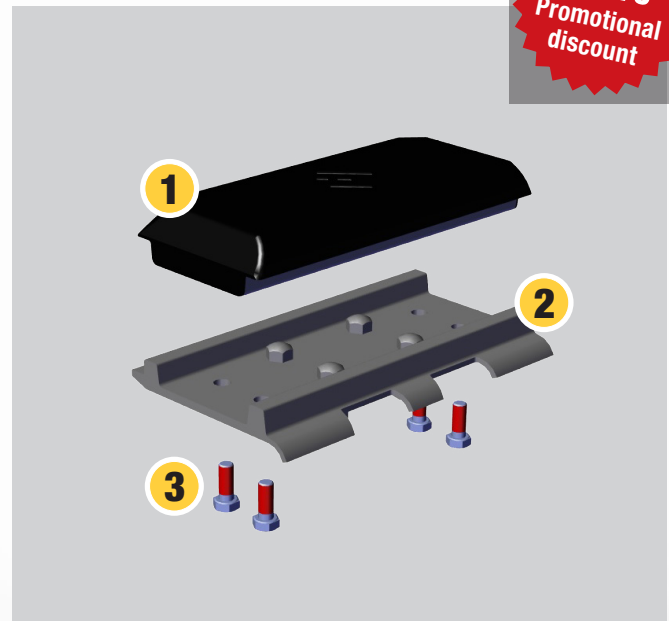
COMPONENT	P/N
Track Pad, Kit	892 011 95

RUBBER PAD

The economical and ecological solution. Just change the wear part itself!

COMPONENT	P/N
Rubber Pad (1)	1 x P/N 059 600 91
Fastening Material	4 x P/N 085 113 29 (Washer) 4 x P/N 071 412 26 (Screw)

10%
Promotional
discount



YOUR BENEFITS



ECONOMICAL

Just changing the rubber pads saves money due to less material and wage costs.



EASY TO CHANGE

Easy and fast exchange of rubber pads saves time. Much easier than changing the whole trackpad.